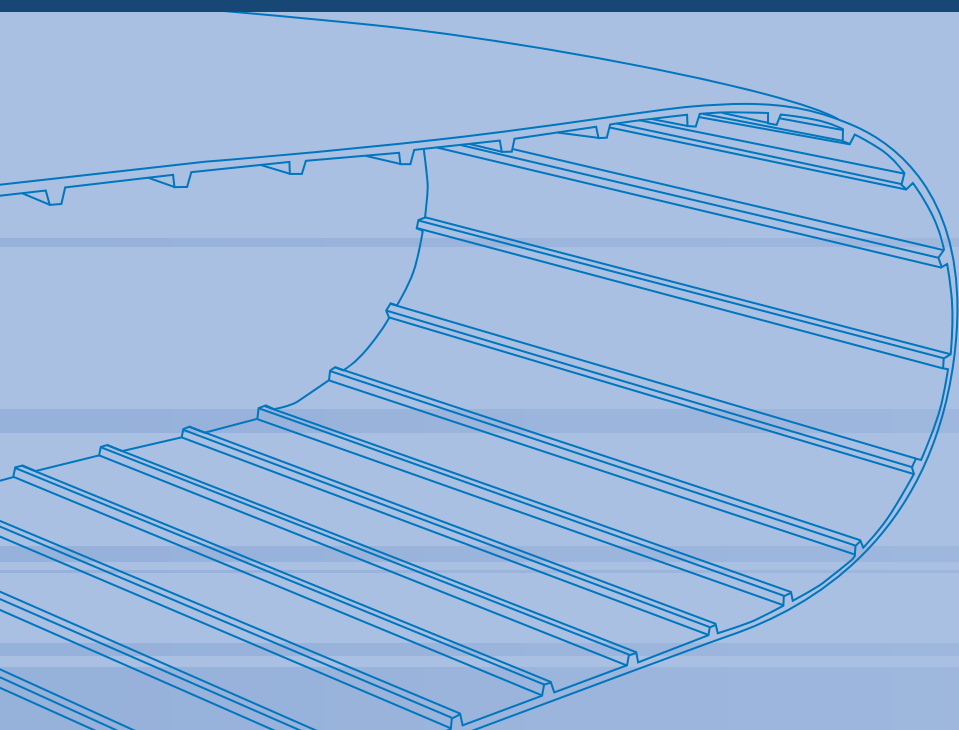
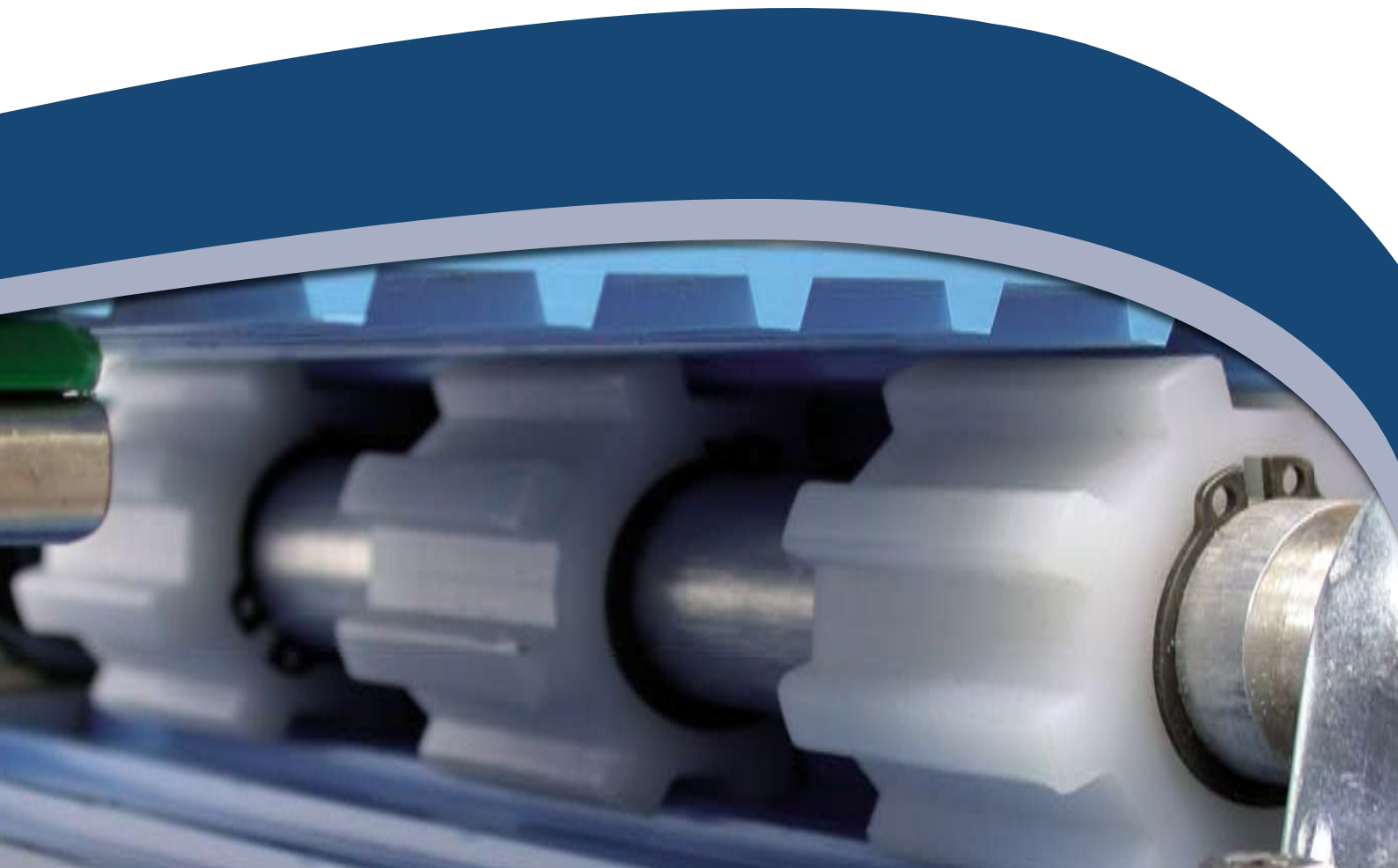




Positive Drive

DualDrive SP™



The Next Step in Belting

DualDrive SP™

DualDrive SP™ has the same characteristics as the DualDrive™ and SuperDrive™ belt lines with an added advantage: DualDrive SP™ works with a smaller pulley that provides a positive drive to small pulley applications.

Why Choose DualDrive SP™?

- Works with a small pulley - 50mm diameter (minimum)
- Requires a lighter conveyor construction
- Tight transfer of end-product between conveyors
- Reduces overall conveying costs

Hygienic and Easy to Clean

- Smooth surface on both sides prevents bacterial build-up
- No seams or factory splicing
- Low costs in sanitation and water treatment
- Shorter cleaning shifts - extended production time
- USDA/ FDA/ 3A-Dairy Certified

Positive-Drive Features

- Integral teeth drive the belt
- Minimum noise levels - no modular components or joints
- Minimal tensioning of the belt is required
- Prevents slippage and belt elongation
- Low belt maintenance



DualDrive™ SP pulley: 50 mm diameter (8 teeth)

DualDrive SP™ is designed to work with our unique smaller pulley diameters: 51.1 mm diameter (8 teeth), 64.5 mm diameter (10 teeth) and 91.3 mm diameter (14 teeth). The belt is extruded in 30 m lengths and may be cut down to size.

For maximum performance, we recommend Volta supplied pulleys. These pulleys are designed for the DualDrive SP™ belt only and are made of high quality materials.

	FMB-2.5 DD-SP
Description	Flat, homogeneous belt, M family
Thickness	2.5 mm/ 0.98 in.
Pulley Diameter (O.D)	51.1 mm/ 2.01 in. (Z8), 64.5 mm / 2.54 in. (Z10), 91.3 mm/ 3.59 in. (Z14)
Color	blue
Temp Range	-20° to 60° C / -5° to 140° F
Food Approvals	FDA/ USDA/3A Dairy

Note: Other dimensions are available - please consult your local Volta distributor.

▶▶▶ Volta takes the positive-drive conveyor belts one step further



SYDNEY
30 Raglan Road,
Auburn, NSW, 2144
ph: (02) 9743 9955
fax: (02) 9743 9986

BRISBANE
288 Curtin Avenue West,
Eagle Farm, QLD, 4009
ph: (07) 3630 1199
fax: (07) 3630 2755

MELBOURNE
107 McEwen Road,
West Heidelberg, VIC, 3081
ph: (03) 9459 2299
fax: (03) 9459 325

www.voltabelting.com ■ e-mail: sales@brendma.com